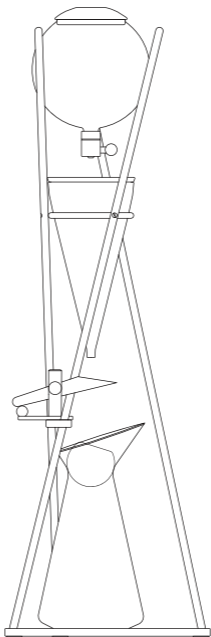


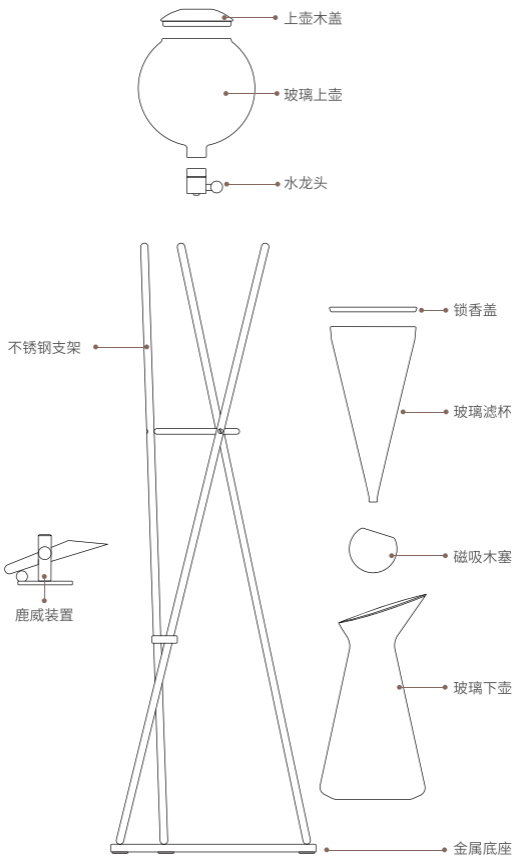


荣获2022德国IF大奖
WON 2022 IF DESIGN AWARD



鼎元Deluxe冰滴壶使用说明书

产品部件及功能介绍



制作步骤



1

玻璃滤杯中放入滤纸。



2

将研磨好的中度咖啡粉
倒入滤杯中。
(建议粉水比例: 1:10)。



3

上壶加入适量的冰块和冰水
(建议冰块与水配比: 1:1)。



4

调节水龙头
滴数: 10秒6-8滴
匀速下滴即可。



- 5 鹿威导管存满后，会自动向下倒出。



- 6 等待滴完后，盖上木塞，放入冰箱冷藏12小时后饮用风味更佳。



注意事项

1. 玻璃器皿使用前，请检查完好，清水洗后擦拭干净
2. 清洁时请用软布擦拭主体结构，勿用粗糙布料清洁，以免造成表面划伤
3. 建议使用纯净水或过滤水来萃取咖啡

产品参数

产品名称：Hero鼎元Deluxe冰滴壶

型号：KFH-4RG

容量：800ml

材质：不锈钢 / 高硼硅玻璃 / 铜 / 铝合金 / 硅胶

执行标准号：GB 4806.5-2016



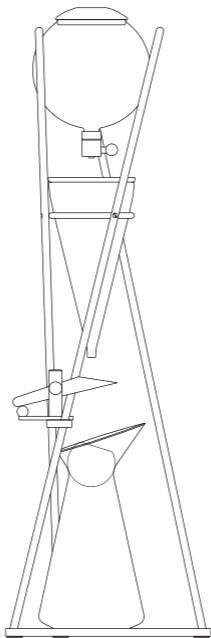
冰滴咖啡也叫荷兰咖啡
因为是十七世纪的荷兰人最先用这种冷水长时间低温萃取咖啡
所以也叫荷兰冰滴咖啡
这种咖啡以冰水经过长时间浸泡滴漏
因此又被称为“coldbrev, coffee cold (冰酿)” 或者“water drip coffee (冰滴)”

Hero冰滴咖啡壶造型古雅，气质尊贵
制作方法和操作步骤都很简单
但它酿造出的冰咖啡却堪称一绝
独特的香气、顺滑的口感、四溢的冰香
让您品尝之后只想呐喊
世间竟有如此好喝的冰咖啡

北京瑰夏传奇贸易有限公司
地址：北京市昌平区回龙观镇黄平路19号院4号楼5层510
联系方式：010-82962392
网址：www.herocafe.cc

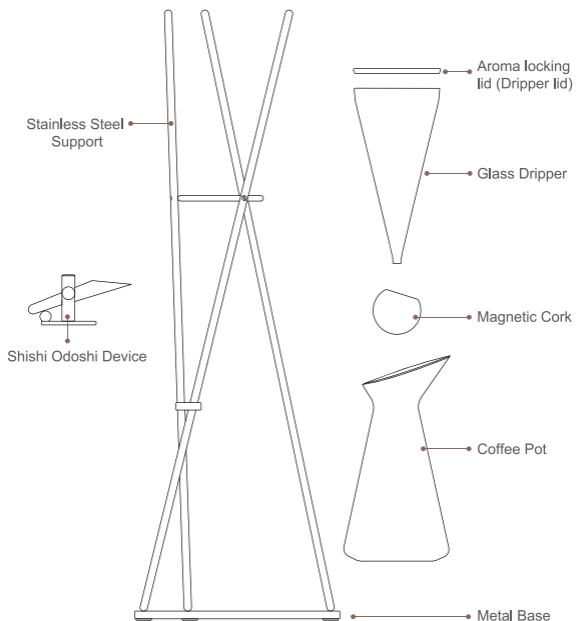
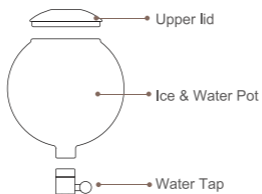


Dingyuan DELUXE Ice Drip Coffee
Maker won 2022 IF Design Award



Dingyuan Deluxe Ice Drip Coffee Maker user manual

Product Parts Introduction



Brewing Instruction



1
Put the paper filter in
the glass dripper



2
Pour in medium ground
coffee (Suggested
brewing ratio 1:10)



3
Put ice and water in the
ice & water pot (Suggested
water and ice ratio 1:1)



4
Adjust the water tap to
a constant speed ,
6-8 drops in 10 second

- 5 The coffee will fall automatically when Shishi Odoshi is full



- 6 After all extracted, we suggest you seal the coffee pot with the cork then put it in the refrigerator for 12 hours. It will be better flavor.



Notices

1. Before use, please inspect to ensure all the glass parts are in good condition, clean with water and sweep dry
2. Do not use coarse material for cleaning, and soft cloth is suggested for cleaning incase any abrasion
3. Ice and cold water mixed at a suitable ratio is suggested for brewing(purify water or filtered water is the best)

Product Parameters

Product: Hero Dingyuan Deluxe Ice Drip Coffee Maker

Model: KFH-4RG

Capacity: 800ml

Material: Stainless Steel / High borosilicate glass / Cuprum / Aluminum Alloy / Silicone

Executive Standard No.: GB 4806.5-2016



Ice drip coffee is also called Dutch coffee
It is said to have been invented by Dutch sailors in 17th century
Dutch coffee is made by letting icy cold water drip over
fresh coffee grounds very slowly for long time, so it's
also be called "cold brew" "coffee cold" or "water drip coffee"

Hero Ice drip coffee maker appears elegant and graceful.

It's simple operation.

The coffee by it is great flavor.

At the moment you take it , the special aroma, smooth taste ,
highly flavor, you will know a great cup of coffee is worth waiting for.

Beijing Guixia Legend Trading Co., Ltd.
Address: Building 4, Room 510, Longqi Square, Yard 19, Huangping
road, Changping District, Beijing, China
Contact: 010-82962392
Website: www.zerohero.cc