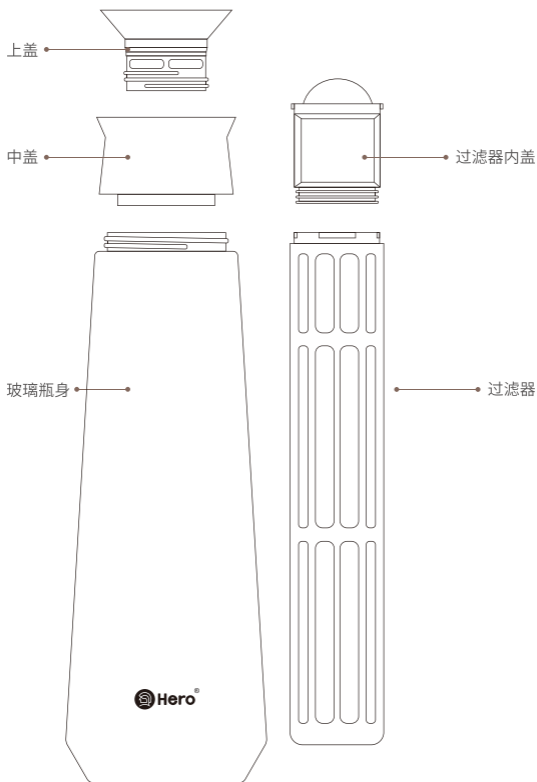


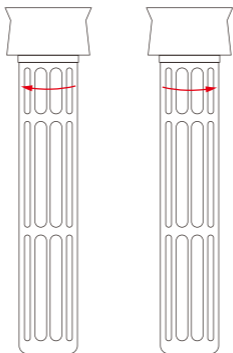
梵净冷泡瓶使用说明书

产品部件及功能介绍



安装与拆卸

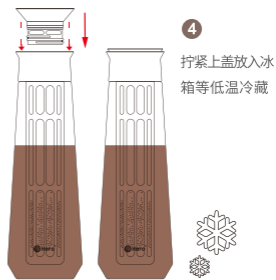
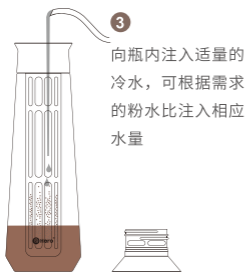
过滤器顺时针拧开即可取下，反之为固定(如下图)。



手握过滤器内盖手柄向上拔出即可，放入时需对准两侧的凹槽(如下图)。



制作咖啡



- 5 浸泡完成后，将上盖逆时针旋转一圈可正常出水。（可通过旋转上盖对出水量进行微调）



制作参数

- 建议注入温度较低的冰水或冷水，注入水粉比例1:12（即10g粉为120ml水），可根据口感进行微调。
- 使用的咖啡粉为中度研磨，类似于手冲研磨咖啡粉状态。
- 建议浸泡时间最少8小时以上，放置冰箱或其他低温处冷藏萃取。
- 注水比例1:12，最少使用粉量为20g咖啡粉，最大粉量50g咖啡粉。
- 注水比例1:10，最少使用粉量为40g咖啡粉，制作完成后可直接饮用或加冰块稀释。

注意事项

- 1、过滤器一定要和中盖连接固定紧密后再放入，取出时也要一并取出，再进行拆解。

- 2、过滤器使用后，咖啡渣清洗干净，滤网会附着淡淡咖啡色，属正常现象不影响使用。
- 3、注水时请扶稳瓶身，以免倾倒。
- 4、制作完成后，要及时清洗过滤器，并自然晾干，再装回瓶内。

产品参数

产品名称：Hero 梵净冷泡瓶

型号：LSH-2A LSH-2CY

容量：650ml

材质：高硼硅玻璃 PP 食品级ABS PET

执行标准号：GB / T 12670-2008 GB / T 12672-2009

保修卡

保修及服务

尊敬的客户，您好！首先感谢您使用本公司的产品，我们公司产品执行三包规定，产品自购买之日起保修一年。保修服务仅限与正常使用下出现质量问题有效，如用户不按说明书正常使用或人为和不可抗力造成损坏不属于保修范围，如果客户需要维修，将需支付相应费用。

维修记录：

购买日期：

维修时间	故障原因	处理方法

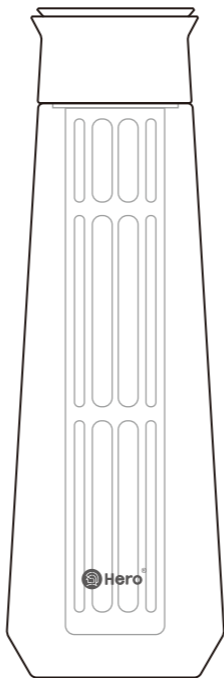


北京瑰夏传奇贸易有限公司

地址：北京市昌平区回龙观镇黄平路19号院4号楼5层510

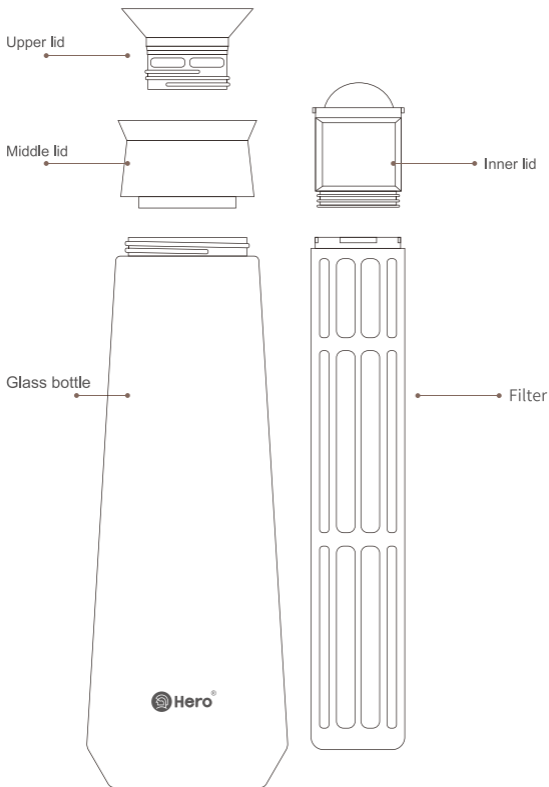
联系方式：010-82962392

网址：www.herocafe.cc



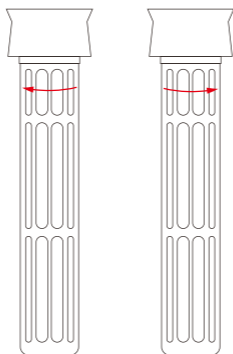
Fanjing Cold Brew Coffee Maker User Manual

Product Parts Introduction

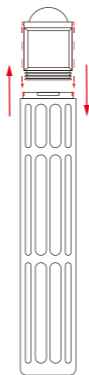


Assembly and Disassembly

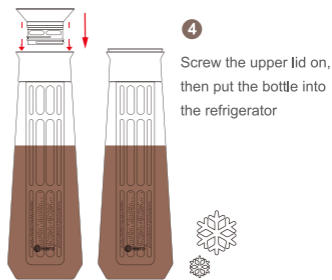
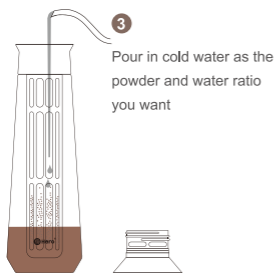
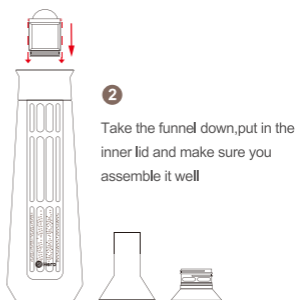
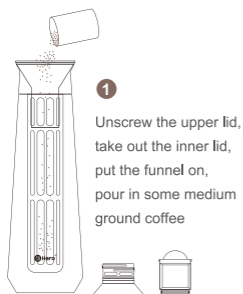
Twist the filter clockwise to disassemble, otherwise it gets fixed



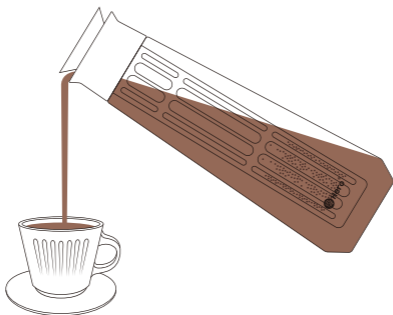
Hold the handle of the inner lid to pull it out, when assembling, aligning it with the grooves on both sides



How to use



- 5 After refrigeration, lose the upper lid one circle and then you can pour out the cold coffee. (You can adjust the flow by adjusting the lid)



Operation Parameters

- Low temperature ice water or cold water is suggested at 1:12 of the powder and water (for example: 120ml water for 10g powder), can be adjusted accordingly.
- Medium ground coffee is suggested, similar to the state of pour over coffee.
- It is suggested to brew for at least 8 hours in refrigerator or other low temperature place.
- When powder and water rate is 1:12, require 20g powder at least, 50g at most.
- When powder and water rate is 1:10, require 40g powder at least, drink directly or add ice after brewing finished.

Notices

1. The filter must be tightly connected with the middle lid before putting it into the glass bottle. And it must be taken out together, then you can disassemble it.
2. After used and cleaned, the filter will be dyed light coffee color, which is a normal phenomenon and doesn't effect the use.
3. Please hold the glass bottle steady when pouring water to avoid tipping.
4. After used, please clean the filter in time and dry it naturally, then put it back into the glass bottle.

Product Parameters

Product: Hero Fanjing Cold Brew Coffee Maker

Model: LSH-2A LSH-2CY

Capacity: 650ml

Material: High borosilicate glass / PP / Food grade ABS / PET

Executive Standard No.: GB / T 2670-2008 GB / T 2672-2009

Warranty card

Warranty and service

Dear Customer: firstly thank you for using our company's products. Our company's products implement the three guarantees regulations. The products are guaranteed for one year from the date of purchase. Warranty service is only valid for quality problems that occur under normal use.

The following conditions is not covered by warranty: Fault caused by incorrect operations, man-made and force majeure. And please understand the repair not covered by warranty will be charged accordingly.

Maintenance record:

Purchase date:

Maintenance time	Fault cause	Handling method



Beijing Guixia Legend Trading Co., Ltd.
Address: Building 4, Room 510, Longqi Square, Yard 19, Huangping
road, Changping District, Beijing, China
Contact: 010-82962392
Website: www.zerohero.cc